

MT500

FAMILY

The family of DEL MEDICAL MT500 mobile radiographic tables are ideally suited for hospitals, imaging centers, orthopedic clinics and private practices.

They can be paired with an overhead tube crane (OTC), floor mounted tube stand (FMT), or mobile systems, providing economical table options that also enable fixed rooms to be installed in smaller spaces without clinical limitations. When used with OTC or FMT systems, the same sturdy trays used with fixed tables may be installed under the MT500 table to provide high-quality images. They also may be used with U-Arms, Straight Arms, or C-Arms without the table's optional tray, using the receptor built into the arm.

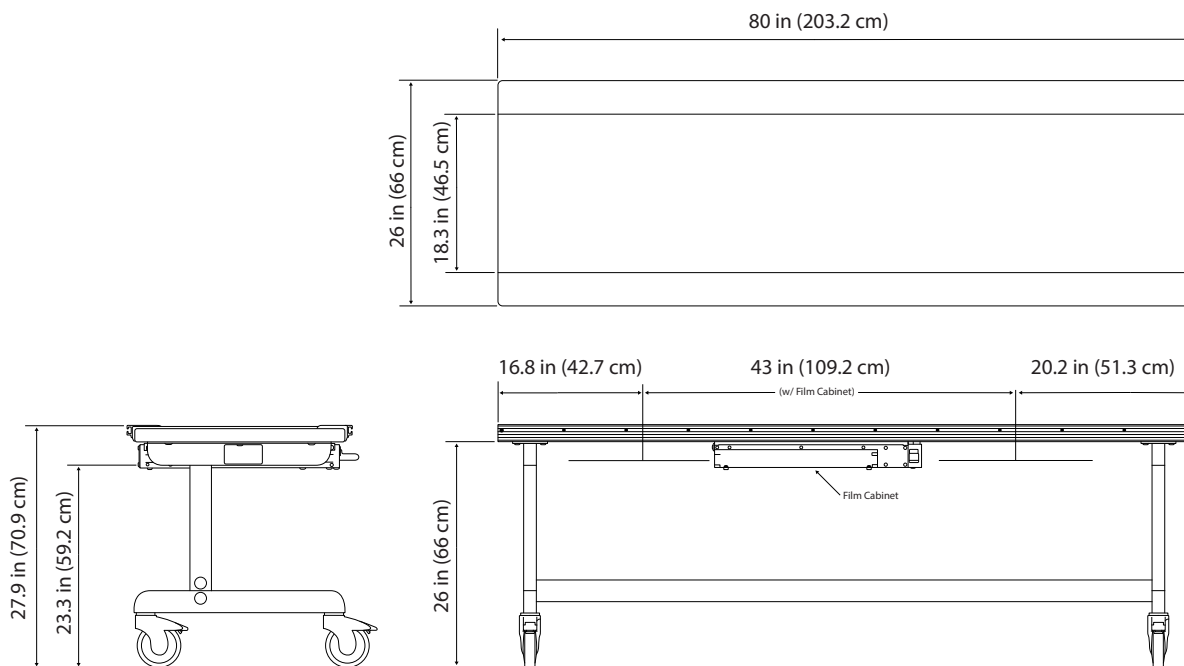
They feature a heavy-duty steel frame maximum stability and a stain-resistant fiber resin tabletop with a hefty 500-pound (227 kg) patient weight capacity. The large-diameter casters provide smooth movement, swivel 360 degrees, and come standard with easy, yet reliable, foot locks.



MT500

FIXED MOBILE TABLE

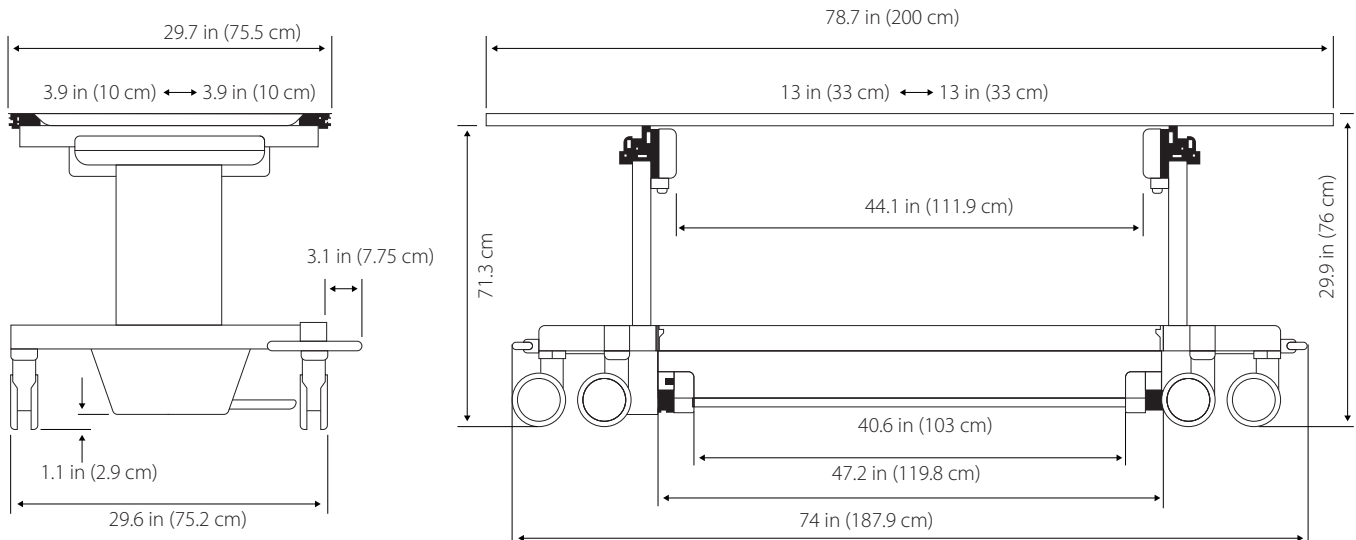
The MT500 fixed mobile table is our most economical of the MT500 family. It offers a fixed, convenient working height, and is positioned by rolling into place on its smooth riding castors. The MT500 comes standard with a fiber resin tabletop, and offers an optional clear tabletop to better see positioning with a U-arm, C-arm, or Straight arm system. The tabletop can also be upgraded to a carbon fiber tabletop to minimize absorption.



MT500F

MOBILE FLOAT TOP FIXED HEIGHT TABLE

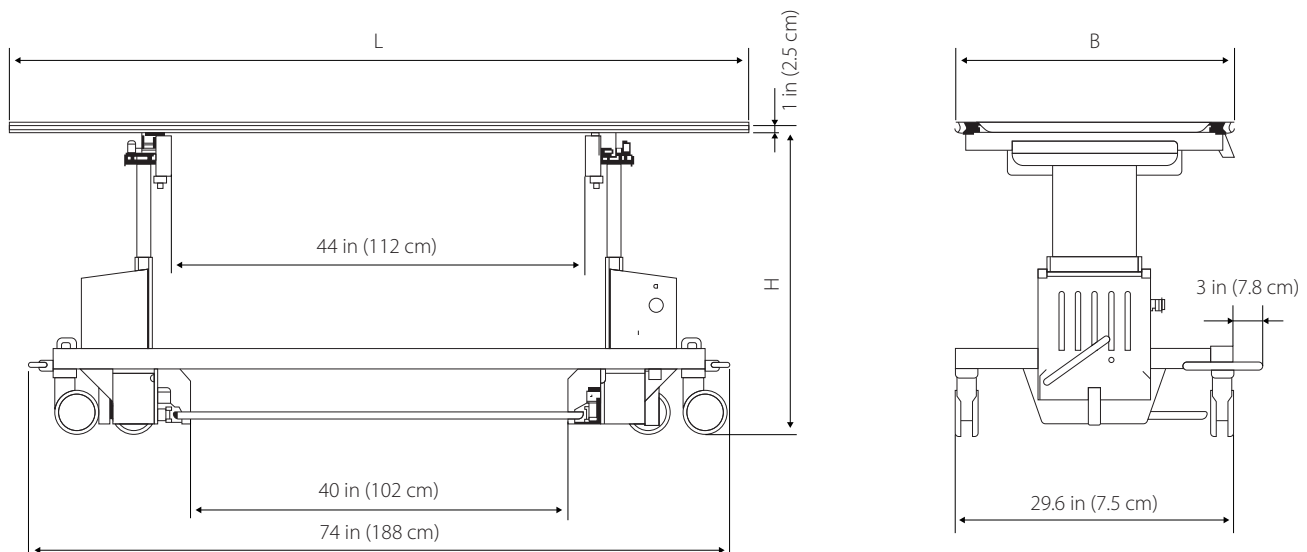
The MT500F mobile table offers a smooth float-top tabletop for more precise positioning without rolling the table or moving the patient on the top. It is a sturdy fixed height with a standard fiber resin top and may be used either with standard radiographic rooms with an under-table tray, or with U-arms or other devices with built-in detectors.



MT500EL

MOBILE FLOAT TOP ELEVATING LINE POWERED TABLE

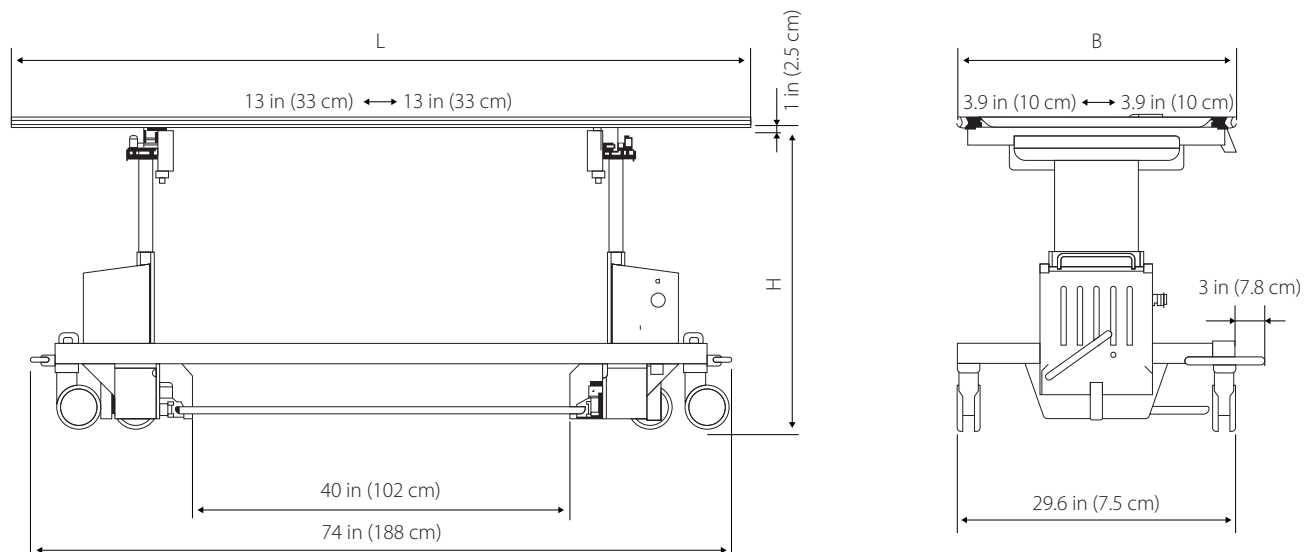
The MT500EL mobile table provides all the benefits of easy patient positioning of a float-top tabletop, as well as providing line-powered elevation to enable patient transfers with ease from wheelchairs, stretchers, etc., while still elevating to a convenient working height. It has a standard fiber resin top and may also be used with either an under-table tray for standard rooms or without the tray for use with devices with incorporated detectors.



MT500EB

MOBILE FLOAT TOP ELEVATING BATTERY POWERED TABLE

The MT500EB mobile table provides easy patient positioning of a float-top tabletop, and elevates for easy patient transfers. Powered by a rechargeable battery, this avoids the need to have a power line plugged in, making it easy to move between rooms, or in and out of position. Like other models, it has a standard fiber-resin top and can be used with a under table tray for standard rooms, or without the tray installed for use with devices that have their own receptor.



Technical Specifications

* All specifications subject to change without notice

	MT500	MT500F	MT500EL	MT500EB
Patient Load Capacity	500 lbs (227 kg)			
Tabletop Height	27.9 in (70.9 cm)	30 in (76 cm)	23.5 -34 in (60 - 86 cm)	
Elevation Method	Fixed Height		110 - 120 VAC / 220 - 240 VAC Line Power	Rechargeable Battery (Two Batteries and Charger)
Tabletop Size	26 x 80 in (66.1 x 203 cm)	Standard: 29.75 x 79 in (75.5 x 200 cm) Optional Long Length: 29.75 x 89 in (75.5 x 226 cm)		
Tabletop Material	Fiber Resin (Optional clear or carbon fiber)	Fiber Resin (Carbon fiber option increases patient weight capacity to 550 lbs (250 kg))		
Float Longitudinal	None	Standard: 79 in table ± 13 in (33 cm) Optional Long Length: 89 in table ± 18 in (46 cm)		
Float Transverse	None	± 4 in (10 cm)		
Bucky Travel	43 in (109.2 cm)	20.25 in (51.4 cm)		
Locking Castors	Four	Two (Optional four)		
Castor Diameter	5 in (12.5 cm)	6 in (15.2 cm)		
Weight (Without Cabinet)	164 lbs (74 kg)	227 lbs (103 kg)	251 lbs (114 kg)	284 lbs (129 kg)

Accessories and Upgrades



Floor Position Lock

Both the MT500EL and MT500EB may have optional floor position locks at one or both ends of the table to provide precise, repeatable alignment in fixed rooms



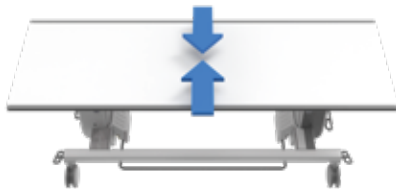
Four Castor Locks

The MT500 comes standard with 4 individually locking castors while the MT500F, MT500EL, AND MT500EB come with two front side, interconnected castor locks. Optionally, two back side locks may be added



Rear Patient Safety Rail

The MT500F, MT500EB, AND MT500EL may have an optional rear rail that is 33 in (83.3 cm) wide for patient grip and safety



Center Stop

The float-top tables (MT500F, MT500EB, AND MT500EL) may have an optional center stop to enable easy positioning in the center detent



Patient-side Handgrips

Optional to all MT500 tables is a pair of handgrips that mount in the table edge for patient grip or to assist the Technologist in floating the table



Trays

A cassette/detector tray may be installed under the table, sliding between the pedestals

DEL MEDICAL



#9000-MT500-DS Rev. E

New York

28 Calvert Street
Harrison, NY 10528
(Tel) 800.261.9808
(Fax) 914.835.6111

Illinois

241 Covington Drive
Bloomington, IL 60108
(Tel) 800.800.6006
(Fax) 847.288.7011

www.delmedical.com